

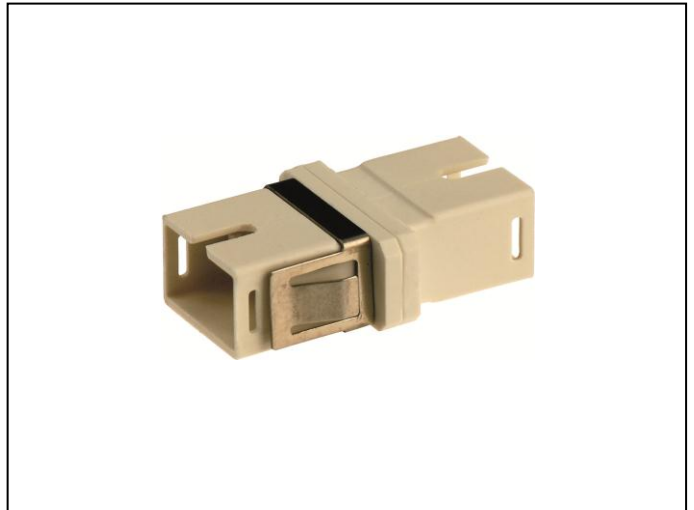
URM 2-fold Adaptor

Features:

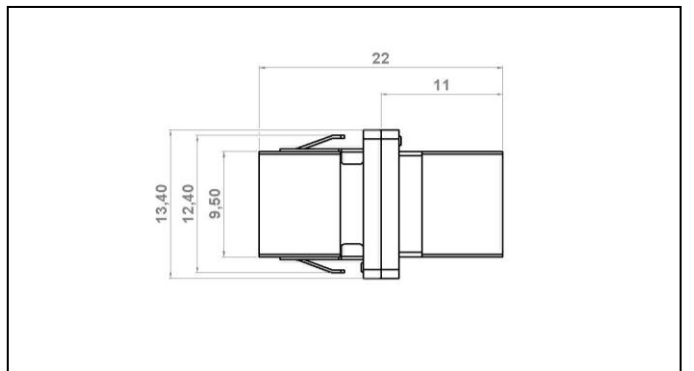
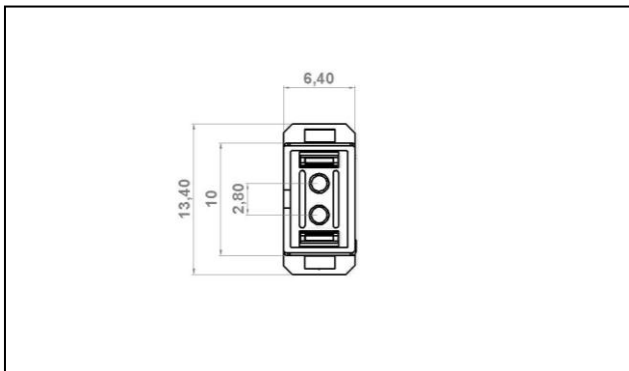
- Adaptor with ceramic sleeves
- Twist secured
- Clip mounting
- High modularity
- High density
- High flexibility

Use:

- Networking



Dimensions



Technical Data

Part number	U2K1-0016-K12M	U2K2-0016-K12S	U2K8-0016-K12A
Description	Multimode	Singlemode	APC
Housing material / colour	plastic / beige	plastic / blue	plastic / green
Typical loss	< 0.15 dB	< 0.1 dB	< 0.1 dB
Tolerance	≤ 0.1 dB	≤ 0.05 dB	≤ 0.05 dB
Repeatability	± 0.1 dB	± 0.05 dB	± 0.05 dB
Mating cycles	1.000		
Operating temperature	-40°C / +85°C		
Storage temperature	-40°C / +90°C		
Material sleeves	ZrO ₂ , split		
Fixing	Clip		