

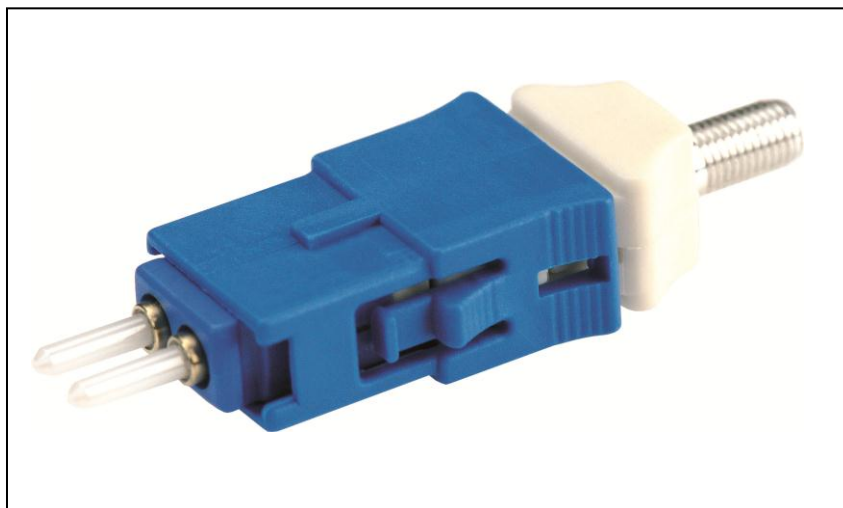
# URM 2-fold Connector

## Features

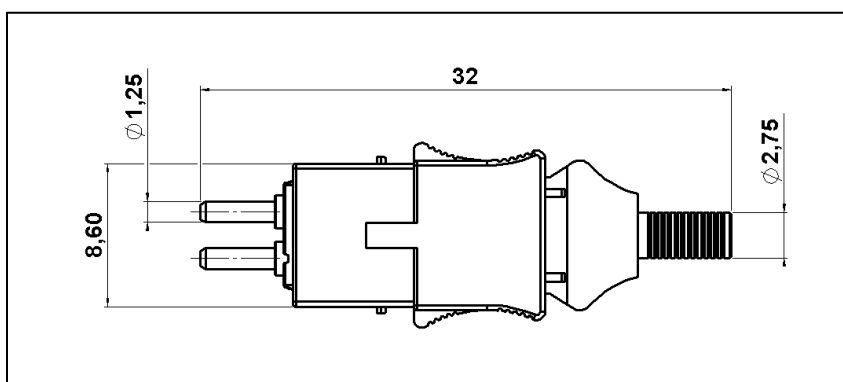
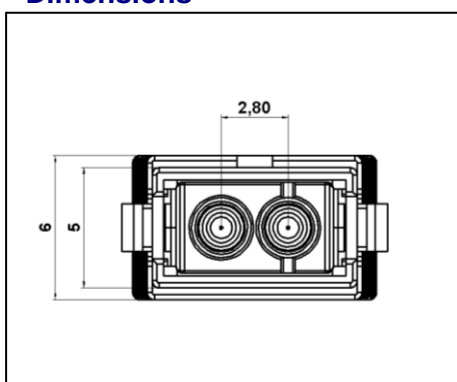
- High modularity
- High density
- High flexibility
- Easy to handle
- Easy to install

## Use

- Networking



## Dimensions



## Technical Data

Part number	Single components		
	Multimode	Singlemode	APC
Description			
Housing material / colour	plastic / beige	plastic / blue	plastic / green
Typical loss* IL/RL	≤ 0,2 dB	≤ 0,15 dB / ≥ 50 dB	≤ 0,1 dB / ≥ 60 dB
Ferrule hole Ø	128 µm	126 µm	126 µm
Ferrule material	ZrO <sub>2</sub>		
Mating cycles	1.000		
Ferrule-Surface	convex after polishing		
Operating temperature	-40 °C / +85 °C		
Storage temperature	-40 °C / +90 °C		
Cable- Ø	1.8 mm		
Cable retention**	> 70 N		

\* Loss depends on termination and fiber    \*\* depends on cable

## Stripping length

