

URM 8-fold Adaptor with metal housing

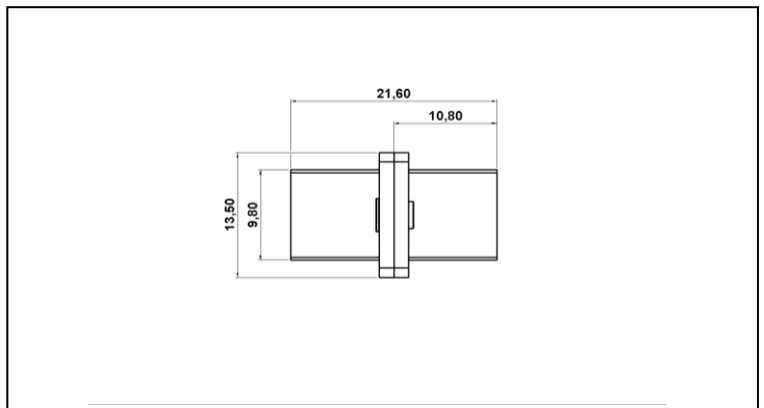
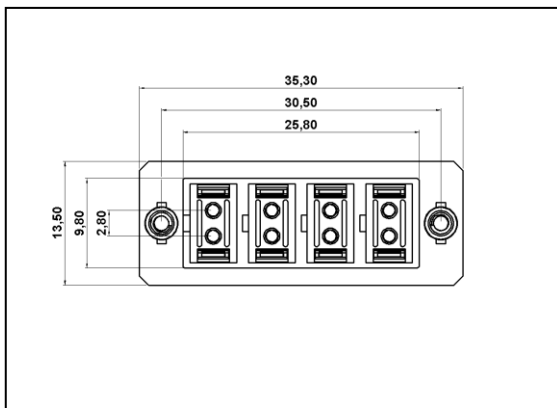
Features:

- Adaptor with metal housing and ceramic sleeves
- Twist secured
- 2-hole flange mounting
- 2 bolts M2x6 attached
- High modularity
- High density
- High flexibility

Use:

- Networking

Dimensions



Technical Data

Part number	U8KM-9426-K12M	U8KM-9426-K12S	U8KM-9426-K12A
Description	Multimode	Singlemode	APC
Housing material / colour of interior	metal / beige	metal / blue	metal / green
Typical loss	< 0.15 dB	< 0.1 dB	< 0.1 dB
Tolerance	≤ 0.1 dB	≤ 0.05 dB	≤ 0.05 dB
Repeatability	± 0.1 dB	± 0.05 dB	± 0.05 dB
Mating cycles	1.000		
Operating temperature	-40°C / +85°C		
Storage temperature	-40°C / +90°C		
Material sleeves	ZrO ₂ , split		
Fixing	2-hole flange		